

PRESSURE SWITCH EXPLOSION PROOF TYPE PS2100X

**CLASS I, GROUPS A, B, C, D;
CLASS II, GROUPS E, F, G; NEMA 4X**
Proof Pressure to 1000psi
Adjustable Ranges: 2~100psi
Temperature: -25 to 205°C

The New-Flow PS2100X, an explosion proof pressure switch, is designed to be used in control systems. PS2100X has high set point repeatability and narrow dead band features. A variety of range selections are available upon request. Easily adjusted to the set point, no special tools needed!

Technical Data

Switch Data: one SPDT & two SPDT Microswitch, 15amps 125/250V, Gold Contact Microswitch 1A 125/250VAC

Housing: die cast aluminum alloy with paint

Conduit Connection: 3/4" or 1/2" NPT Female

Pressure Element: welded type diaphragm

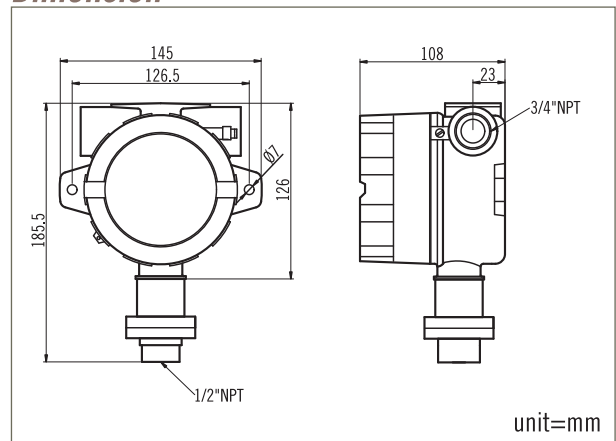
Process Materials: wetted parts are all in SS316

Process Connection: 1/2" or 1/4" NPT Female



CE

Dimension



Range Selection Table

Code	Adjustable Range	Dead Band	Maximum Pressure Proof
04R	2~12psi	0.2~0.4	1000psi
10R	2~16psi	0.2~0.5	1000psi
20R	2~20psi	0.3~0.6	1000psi
30R	3~28psi	0.3~0.8	1000psi
40R	7~100psi	0.7~2.0	1000psi

Ordering Information

PS2100X	Code	Range									
		04R	2~12psi	10R	2~16psi	20R	2~20psi	30R	3~28psi	40R	7~100 psi
		Code	Wetted Material								
		A	SS316								
		Code	Process Connection								
			(1) 1/2" NPT Female (2) 1/4" NPT Female								
		Code	Conduit Connection								
			(E) 3/4" NPT Female, standard (F) 1/2" NPT Female								
		Code	Switch Form								
		1	One SPDT								
		2	Two SPDT (one setting point)								
		3	Gold Contact (SPDT)								
PS2100X											Complete Ordering Code

WWW.NEW-FLOW.COM • TEL: 886-7-8135500 • FAX: 886-7-8225588 • Email: info@new-flow.com

PRESSURE