

PRESSURE SWITCH NEMA 4, 4X, IP65

PS2100W

Proof Pressure to 1000psi
Adjustable Ranges: 2~100psi
Temperature: -20 to 205°C

The New-Flow PS2100W, a water proof pressure switch, is designed to be used in control systems. PS2100W has high set point repeatability and narrow dead band features. A variety of range selections are available upon request. Easily adjusted to the set point, and no special tools needed!

Technical Data

Switch Data: one SPDT & two SPDT Microswitch, 15amps 125/250V, Gold Contact Microswitch 1A 125/250VAC

Housing: die cast aluminum alloy with paint

Conduit Connection: ¾" or ½" NPT Female

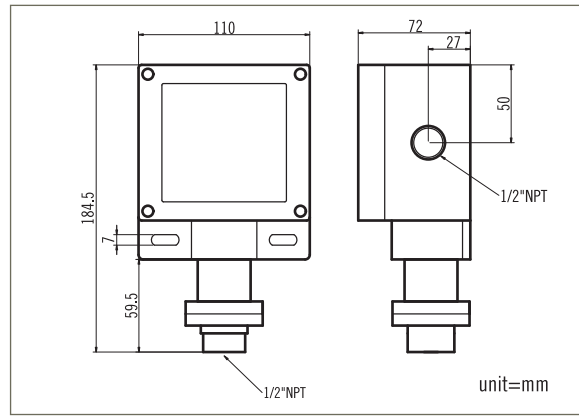
Pressure Element: welded type diaphragm

Process Materials: wetted parts are all in SS316

Process Connection: ½" or ¼" NPT Female



Dimensions



Range Selection Table

Code	Adjustable Range	Dead Band	Maximum Pressure Proof
04R	2~12psi	0.2~0.4	1000psi
10R	2~16psi	0.2~0.5	1000psi
20R	2~20psi	0.3~0.6	1000psi
30R	3~28psi	0.3~0.8	1000psi
40R	7~100psi	0.7~2.0	1000psi

Ordering Information

PS2100W	Code	Range									
		04R	2~12psi	10R	2~16psi	20R	2~20psi	30R	3~28psi	40R	7~100psi
		Code	Wetted Material								
		A	SS316								
		Code	Process Connection								
			(1) ½" NPT Female (2) ¼" NPT Female								
		Code	Conduit Connection								
			(E) ¾" NPT Female (F) ½" NPT Female, standard								
		Code	Switch Form								
		1	One SPDT								
		2	Two SPDT (one setting point)								
		3	Gold Contact (SPDT)								
PS2100W											Complete Ordering Code