

# PRESSURE GAUGE WITH MICRO SWITCH EXPLOSION PROOF TYPE

## PIS5000X

CLASS I, GROUPS A, B, C, D; CLASS II, GROUPS E, F, G; NEMA 4X  
Micro Switch  
Measuring Range: 0.1 MPa~40 MPa , 1~400 kg/cm<sup>2</sup> Available

### Technical Data

- Material:** Bourdon tube SS316, Wetted parts SS316
- Housing:** Die cast aluminum alloy
- Dial:** ø6"
- Process Connection:** 3/8", 1/2"NPT, option with adaptor available
- Electronic Connection:** 1/2"NPT, option with adaptor available
- Accuracy:** Gauge indication ±1.6% F.S
- Pressure limited:** Over range protected 130% of full scale range
- Switch form:** One setting point: SPDT x 1 or Two setting point: SPDT x 2 available
- Set point:** Full scale range available
- Switch dead band:** ±2% of Full Scale
- Switch data:**



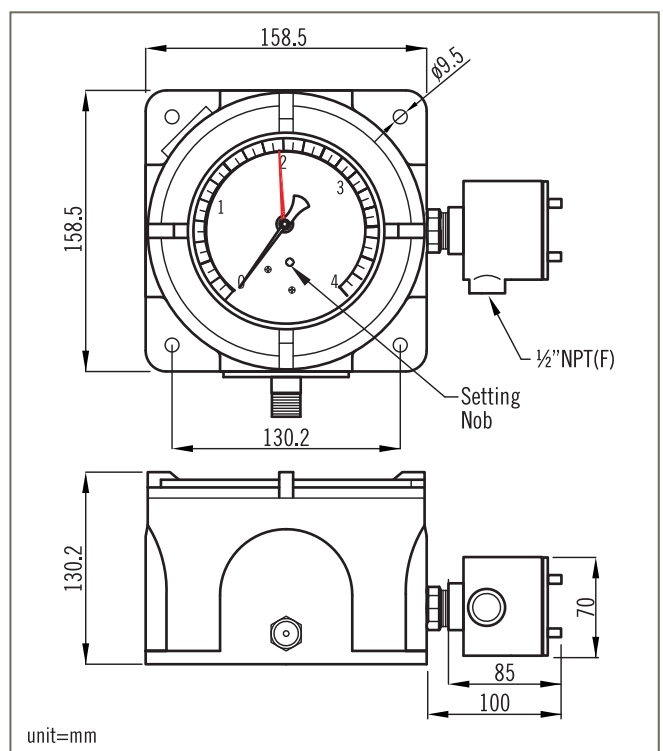
	AC Load	DC Load
Nominal Operating Voltage	250 VAC max.	28 VDC max.
Current	5A max.	5A max. (ohmic load) 3A max. (inductive load)
Contact Material	Pure silver 999.9	Pure silver 999.9
Ambient Temperature	-20°C ~ +70°C	-20°C ~ +70°C

### Range Selection Table – KG/CM<sup>2</sup>

Code	Range	Code	Range	Code	Range	Code	Range	Code	Range
001	0~1	004	0~4	007	0~16	010	0~40	013	0~160
002	0~1.6	005	0~6	008	0~20	011	0~60	014	0~250
003	0~2.5	006	0~10	009	0~25	012	0~100	015	0~400

NOTE.  
1. Scale Unit: MPa, Kg/cm<sup>2</sup>, Bar available  
2. 1bar=0.1Mpa, 1bar=1.01972kg/cm<sup>2</sup>, 1Pa=1x10<sup>-6</sup> MPa, 1MPa=10.197 kg/cm<sup>2</sup>

### Dimension



### Ordering Information

PIS5000X	Code	Process Connection
		(1) 3/8"NPT (2) 1/2"NPT (3) Option
		<b>Code</b> <b>Conduit Connection</b>
	A	1/2"NPT Female
	B	Option
		<b>Code</b> <b>Material</b>
	S	SS316
		<b>Code</b> <b>Switch Function</b>
	1	One setting point SPDT x 1
	2	Two setting point SPDT x 2
		<b>Code</b> <b>Measuring Range</b>
		Please refer to selection table and fill in request range.
PIS5000X		

WWW.NEW-FLOW.COM • TEL: 866-7-8135500 • FAX: 866-7-8225588 • Email: info@new-flow.com

PRESSURE