

THERMOCOUPLE AND RTD ASSEMBLIES

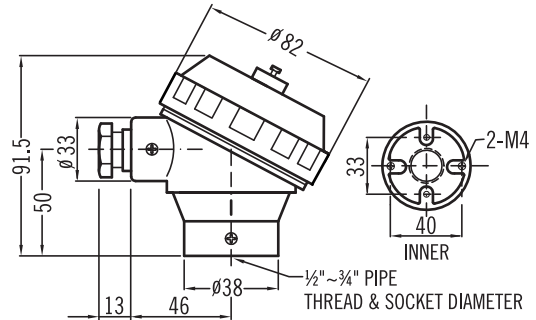
Head Type Technical Data



HN TYPE

HN Type

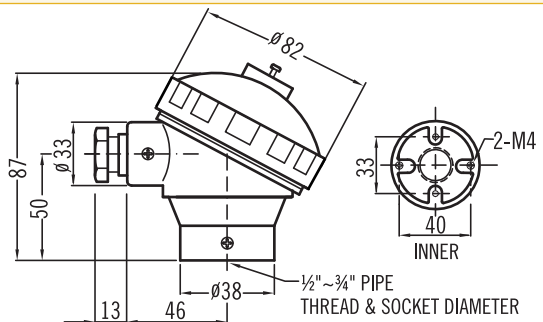
Protection: IP67
Material: Aluminum Alloy
Weight: 264g
Protection tube connection: ½", ¾" (PF, NPT, BSP), M20X1.5
Extension wire connection: ½", ¾" (PF, NPT, BSP), M20X1.5
 Other specifications are available on request.



HP TYPE

HP Type

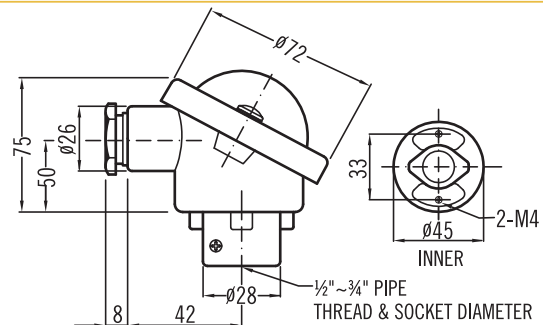
Protection: IP65
Material: Polypropylene
Weight: 112g
Protection tube connection: ½" NPT, ½" BSP
Extension wire connection: ¾" NPT, M20X1.5
 Other specifications are available on request.



HD TYPE

HD Type

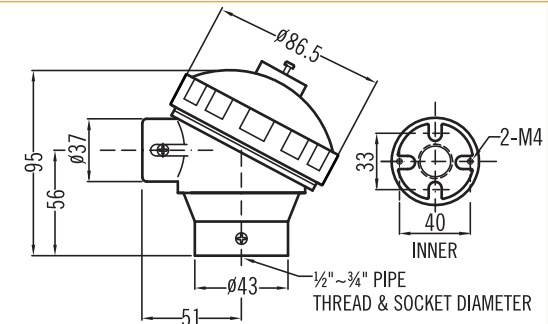
Protection: IP67
Material: Aluminum Alloy
Weight: 158g
Protection tube connection: ½" PF, ½" BSP
Extension wire connection: M22X1.5, PG16
 Other specifications are available on request.



HI TYPE

HI Type

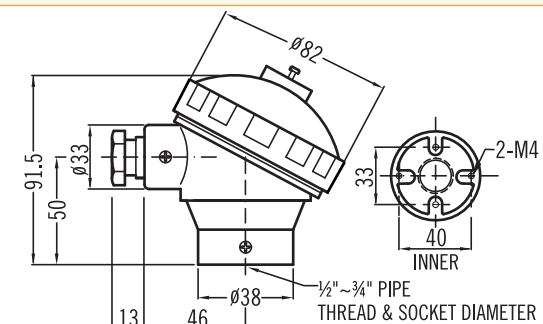
Protection: IP67
Material: Cast Iron
Weight: 1600g
Protection tube connection: ½", ¾" (PF, NPT, BSP), M20X1.5
Extension wire connection: ½", ¾" (PF, NPT, BSP), M20X1.5
 Other specifications are available on request.



HB TYPE

HB Type

Protection: IP65
Material: Bakelite
Weight: 156g
Protection tube connection: ½" PF
Extension wire connection: ½" PF
 Other specifications are available on request.





KS TYPE



S1 TYPE



S2 TYPE

Head Type Technical Data

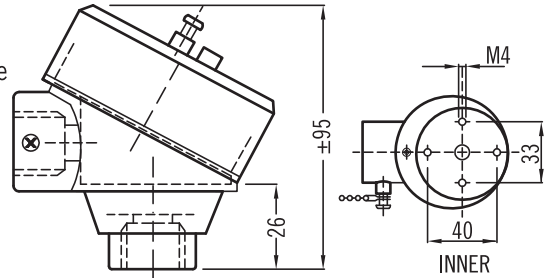
KS Type

Protection:	FM/CSA Approvals	Class I, DIV I Groups B, C and D Class II, DIV I Groups E, F and G
	CENELEC Approvals	Eexd IIC ATEX II 2G

Material: 316SS

Weight: 900g

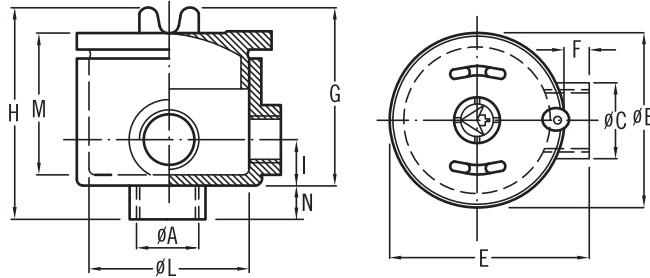
Other specifications are available on request.



S1 & S2 Type

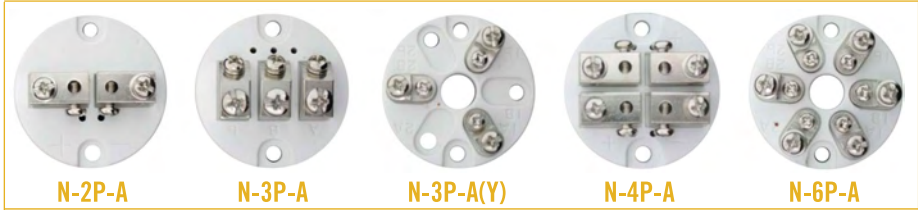
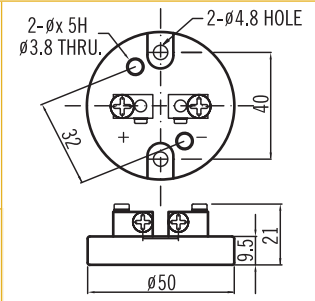

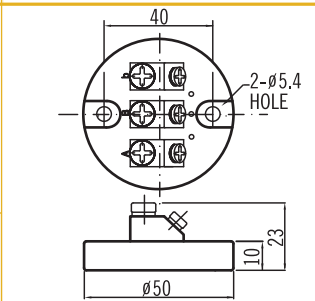
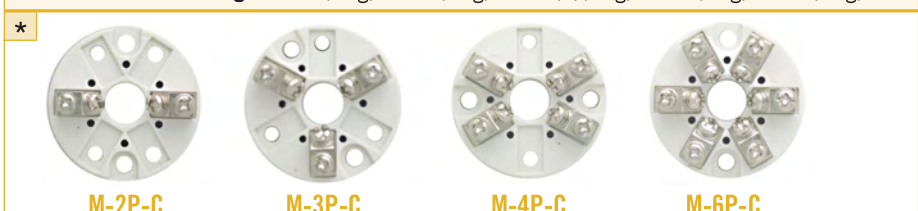
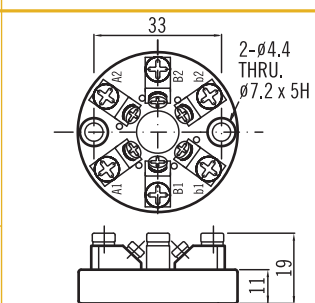

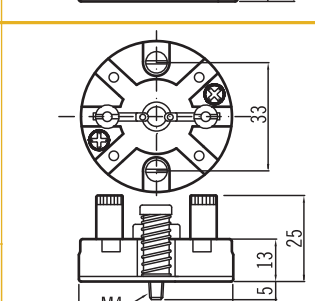

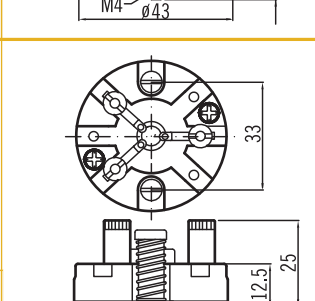

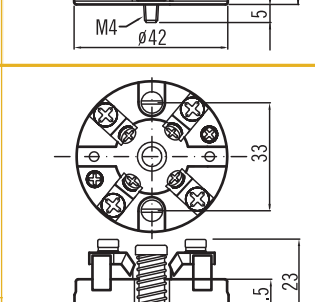
Protection: Explosion proof. EExdIICT6 IP65

Material: Aluminum Alloy



Type	Dimensions											Terminal Block (on request)	Weight Gr.	
	ØA	ØB	ØC	E	F	G	H	I	ØL	M	N			unitmm
S1	1/2"	70	31	79	9	72	85	20	55	52	13		4x4 mm ²	350
S2	3/4"	90	38	100	10	78	92	24	76	69	14		4x4 mm ²	510

Terminal Type

 <p>N-2P-A N-3P-A N-3P-A(Y) N-4P-A N-6P-A</p>	
<p>Terminal blocks for connection heads. Material: Ceramic Al₂O₃ 92% Terminal block weight: 2P-A(72g). 3P-A(78g). 3P-A(Y)(72g).4P-A(84g).6P-A(94g)</p>	
 <p>N-2P-B N-3P-B N-3P-B(Y) N-4P-B N-6P-B</p>	
<p>Terminal blocks for connection heads. Material: Bakelite Terminal block weight: 2P-B(56g). 3P-B(68g). 3P-B(Y)(44g). 4P-B(84g). 6P-B(66g)</p>	
<p>*</p>  <p>M-2P-C M-3P-C M-4P-C M-6P-C</p>	
<p>Terminal blocks for connection heads. Material: Ceramic Terminal block weight: 2P-C(34g). 3P-C(38g). 4P-C(42g). 6P-C(54g)</p>	
<p>*</p>  <p>D-2P-A D-3P-A D-4P-A D-6P-A</p>	
<p>Terminal blocks for connection heads. Material: Ceramic Al₂O₃ 92% Terminal block weight: 2P-A(66g). 3P-A(72g). 4P-A(78g). 6P-A(88g)</p>	
<p>*</p>  <p>D-2P-B D-3P-B D-4P-B D-6P-B</p>	
<p>Terminal blocks for connection heads. Material: Bakelite Terminal block weight: 2P-B(48g). 3P-B(54g). 4P-B(60g). 6P-B(72g)</p>	
<p>*</p>  <p>DS-2P-C DS-3P-C DS-4P-C DS-6P-C</p>	
<p>Terminal blocks for connection heads. Material: Ceramic Terminal block weight: 2P-C(64g). 3P-C(70g). 4P-C(74g). 6P-C(84g)</p>	

NOTE

* HD Type: Head Type
 HD only choose these terminal blocks of type D-2P-A/M-6P-C/D-3P-B/DS-4P-C.
 All type of terminal blocks are suitable for other head.