

PRESSURE SWITCH NEMA 4, 4X, IP65

PS2000W

Proof Pressure to 5000psi
Adjustable Ranges: 10~2400psi
Temperature: -20 to 205°C

The New-Flow PS2000W, a water proof pressure switch, is designed to be used in control systems. PS2000W has high set point repeatability and narrow dead band features. A variety of range selections are available upon request. Easily adjusted to the set point, and no special tools needed!

Technical Data

Switch Data: one SPDT & two SPDT Microswitch, 15amps 125/250V, Gold Contact Microswitch 1A 125/250VAC, Hermetically sealed switch 3A res. 1A ind. 28V/DC, 1A res. ind. 115V/AC

Housing: die cast aluminum alloy with paint

Conduit Connection: 3/4" or 1/2" NPT Female

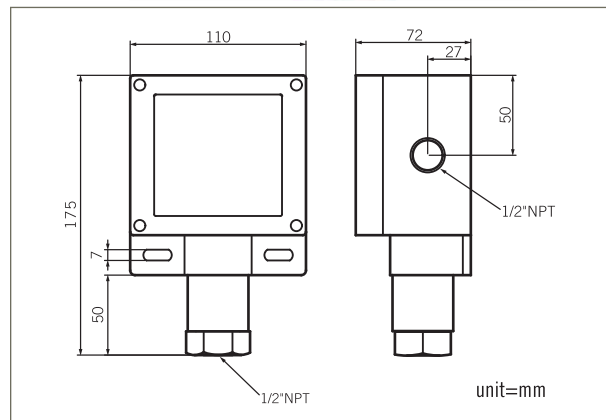
Pressure Element: welded type diaphragm

Process Materials: wetted parts all in SS316

Process Connection: 1/2" or 1/4" NPT Female



Dimensions



Range Selection Table

Code	Adjustable Range	Dead Band	Maximum Pressure Proof
10R	10~100psi	2.8~6.4	3000psi
20R	35~200psi	4.3~7.0	3000psi
30R	50~300psi	4.3~7.0	3000psi
60R	100~600psi	5.0~15	3000psi
130R	100~1300psi	14.2~56.8	3000psi
240R	300~2400psi	14.2~71	4000psi

Ordering Information

PS2000W	Code	Range	Code		Range		Code		Range	
		10R	10~100psi	20R	35~200psi	30R	50~300psi	60R	100~600psi	
		130R	100~1300psi	240R	300~2400psi					
		Code	Wetted Material							
		A	SS316							
		Code	Process Connection							
			(1) 1/2" NPT Female (2) 1/4" NPT Female							
		Code	Condit Connection							
			(E) 3/4" NPT Female (F) 1/2" NPT Female, standard							
		Code	Switch Form							
		1	One SPDT							
		2	Two SPDT (one setting point)							
		3	Gold Contact (SPDT)							
		4	Hermetically Sealed (SPDT)							
PS2000W										Complete Ordering Code