

DIFFERENTIAL PRESSURE GAUGE DPH200

Weather Proof, Diaphragm Type
Range Available: 0-1-7 kg/cm² (0-15-100 PSI)

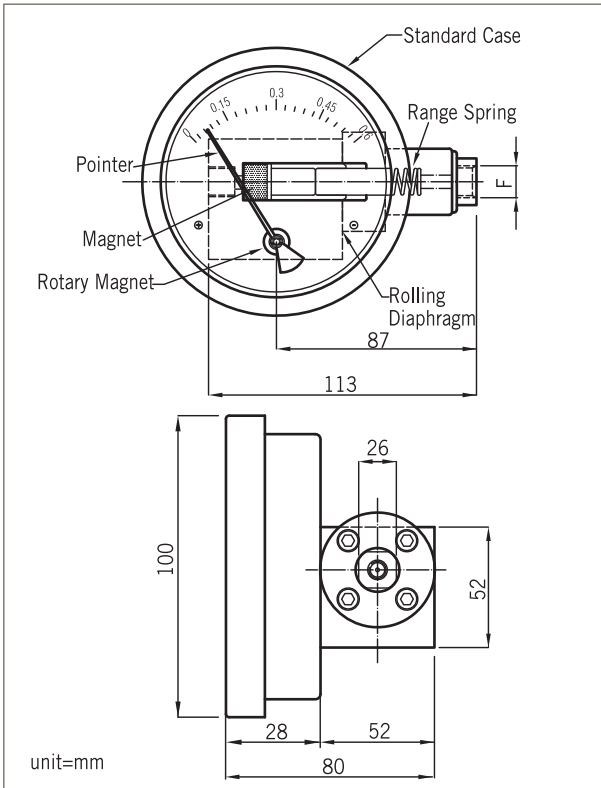
DPH200 series consist of high and low pressure ports. Spring and diaphragm as well as magnet couple with pointer. Differential pressure indicated on dial due to ΔP pressure of high side and low side be made from magnet couple with pointer.



Technical Data

- Dial Size:** ø4", ø6"
- Accuracy:** ±2% F.S (ascending)
- Housing:** SS304 stainless steel
- Housing Protection:** IP65
- Pressure Element:** Diaphragm – Viton ; Other parts all in SS316
- Process Connection:** ½" or ¼" NPT female
- Working Pressure:** 200 kg/cm²
- Working Temperature:** 80°C

Dimensions



Range Selection Table

Code	Adjustable Range	
04R	0~4 psi	0~0.25 kg/cm ²
07R	0~7 psi	0~0.5 kg/cm ²
09R	0~9 psi	0~0.6 kg/cm ²
12R	0~12 psi	0~0.8 kg/cm ²
17R	0~17 psi	0~1.2 kg/cm ²
30R	0~30 psi	0~2 kg/cm ²
40R	0~40 psi	0~2.5 kg/cm ²
60R	0~60 psi	0~4 kg/cm ²
100R	0~100psi	0~7 kg/cm ²

NOTE.
 If you need Flow Scale, please contact with factory.

Ordering Information

DPH200	Code	Dial Size	
		A	B
		ø4"	ø6"
		Code	Range
		04R	0~4 psi
		07R	0~7 psi
		09R	0~9 psi
		12R	0~12 psi
		17R	0~17 psi
		30R	0~30 psi
		40R	0~40 psi
		60R	0~60 psi
		100R	0~100 psi
		Code	Wetted Parts Material
		A	SS316
		Code	Process Connection
			(1) ½" NPT Female (2) ¼" NPT Female
DPH200			Complete Ordering Code